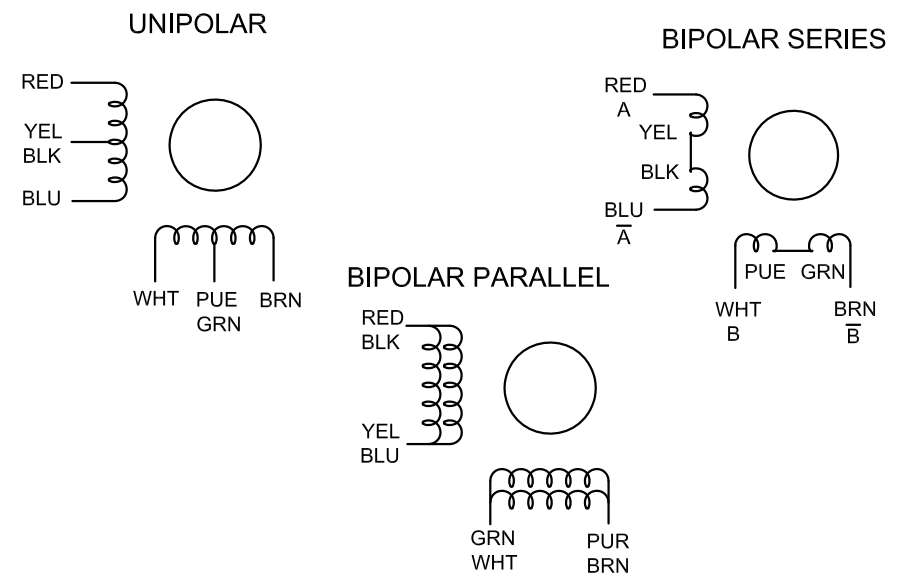


| SPECIFICATION | CONNECTION | UNIPOLAR | BIPOLAR (SERIAL) | BIPOLAR (PARALLEL) |
|---|------------|------------|------------------|--------------------|
| VOTAGE(VOC) | | 2.30 | 3.25 | 1.63 |
| AMPS/PHASE | | 3.00 | 2.12 | 4.24 |
| RESISTANCE/PHASE(Ohms)@25°C | | 0.75±10% | 1.50±10% | 0.38±10% |
| INDUCTANCE/PHASE(mH)@1KHz | | 1.10±20% | 4.40±20% | 1.10±20% |
| HOLDING TORQUE(Nm)[lb-in] | | 0.90[7.97] | 1.26[11.15] | 1.26[11.15] |
| STEP ANGLE(°) | | 1.80 | | |
| STEP ACCURACY(NON-ACCUM) | | ±5.00% | | |
| ROTOR INERTIA(g-cm ²) | | 300.00 | | |
| WEIGHT(Kg)[lb] | | 0.70[1.54] | | |
| TEMPERATURE RISE:MAX.80°C (MOTOR STANDSTILL;FOR 2PHASE ENERGIZED) | | | | |
| AMBIENT TEMPERATURE -10°C~50°C[14°F~122°F] | | | | |
| INSULATION RESISTANCE 100 Mohm (UNDER NORMAL TEMPERATURE AND HUMIDITY) | | | | |
| INSULATION CLASS B 130°C[266°F] | | | | |
| DIELECTRIC STRENGTH 500VAC FOR 1MIN.(BETWEEN THE MOTOR COILS AND THE MOTOR CASE) | | | | |
| AMBIENT HUMIDITY MAX.85%(NO CONDENSATION) | | | | |



SKYSMotor

| | | |
|-------|-----------|------|
| APVD | | |
| CHKD | | |
| 1:1.5 | DRN | |
| SCALE | SIGNATURE | DATE |

STEPPER MOTOR

23HS22-3008D