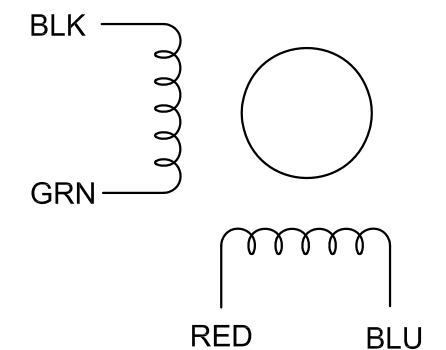


| SPECIFICATION | CONNECTION | BIPOLAR |
|--|------------|-------------|
| AMPS/PHASE | | 2.80 |
| RESISTANCE/PHASE(Ohms)@25°C | | 1.13±10% |
| INDUCTANCE/PHASE(mH)@1KHz | | 4.80±20% |
| HOLDING TORQUE(Nm)[lb-in] | | 1.90[16.82] |
| STEP ANGLE(°) | | 1.80 |
| STEP ACCURACY(NON-ACCUM) | | ±5.00% |
| ROTOR INERTIA(g-cm ²) | | — |
| WEIGHT(Kg)[lb] | | — |
| TEMPERATURE RISE:MAX.80°C (MOTOR STANDSTILL;FOR 2PHASE ENERGIZED) | | |
| AMBIENT TEMPERATURE -10°C~50°C[14°F~122°F] | | |
| INSULATION RESISTANCE 100 Mohm (UNDER NORMAL TEMPERATURE AND HUMIDITY) | | |
| INSULATION CLASS B 130°C[266°F] | | |
| DIELECTRIC STRENGTH 500VAC FOR 1MIN.(BETWEEN THE MOTOR COILS AND THE MOTOR CASE) | | |
| AMBIENT HUMIDITY MAX.85%(NO CONDENSATION) | | |

| TYPE OF CONNECTION (EXTERN) | | MOTOR | |
|-----------------------------|---------|-------|---------|
| PIN NO | BIPOLAR | LEADS | WINDING |
| 1 | A+ — | BLK | A+ — |
| 2 | A- — | GRN | A- — |
| 3 | B+ — | RED | B+ — |
| 4 | B- — | BLU | B- — |

FULL STEP 2 PHASE-Ex.,
WHEN FACING MOUNTING END (X)

| STEP | A+ | B+ | A- | B- | | CCW |
|------|----|----|----|----|---|-----|
| 1 | + | + | - | - | ↓ | ↑ |
| 2 | - | + | + | - | | |
| 3 | - | - | + | + | ↑ | ↓ |
| 4 | + | - | - | + | | |



SKYSMotor

| | |
|-------|-----------|
| APVD | 1.27.2022 |
| CHKD | |
| 1:1.5 | DRN |
| SCALE | SIGNATURE |
| | DATE |

STEPPER MOTOR

23HS30-2804S-RV