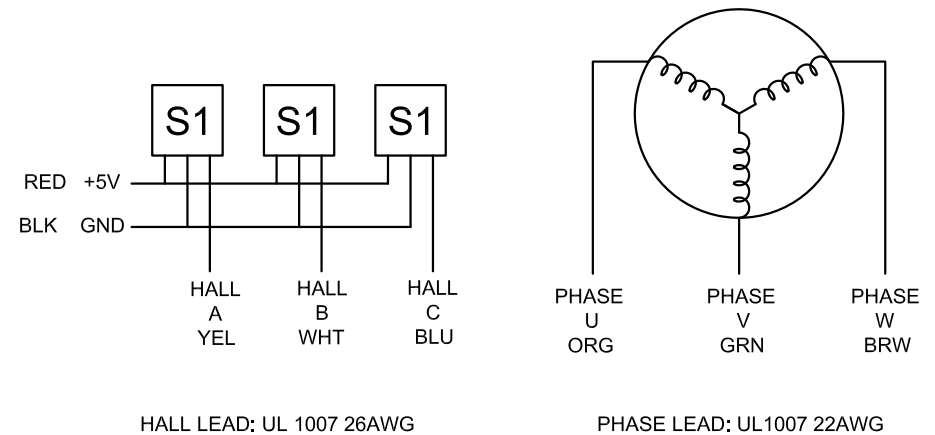


SPECIFICATION	VALUE
NO. of PHASES	3
NO. of POLES	8
RATED VOLTAGE(V)	24
RATED CURRENT(A)	1.8±10%
RATED POWER(W)	26
RATED SPEED(RPM)	4000±10%
RATED TORQUE(mN.m)	63
NO LOAD CURRENT(A)	0.2
NO LOAD SPEED(RPM)	6700
SENSOR	HALL SENSOR
INSULATION CLASS	CLASS B
INSULATION RESISTANCE	100MΩ MIN @ 500VDC
DIELECTRIC STRENGTH TEST	500VAC for 1 MINUTE
BEARING TYPE	NMB BALL BEARING, C3



**SKYSMotor**

	APVD		
	CHKD		
1.5:1	DRN		
SCALE	SIGNATURE	DATE	

**BRUSHLESS DC MOTOR**

**42BLS40-24-01**