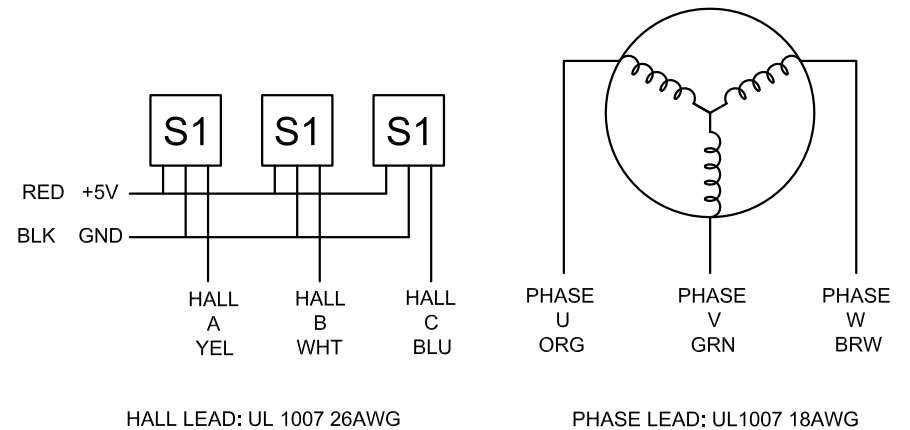


| SPECIFICATION            | VALUE                |
|--------------------------|----------------------|
| NO. of PHASES            | 3                    |
| NO. of POLES             | 4                    |
| RATED VOLTAGE(V)         | 36                   |
| RATED CURRENT(A)         | 7.3±10%              |
| RATED POWER(W)           | 184                  |
| RATED SPEED(RPM)         | 4000±10%             |
| RATED TORQUE(mN.m)       | 440                  |
| HALL LEAD STYLE          | UL 1007 AWG26        |
| PHASE LEAD STYLE         | UL 1007 AWG18        |
| SENSOR                   | HALL SENSOR          |
| INSULATION CLASS         | CLASS B              |
| INSULATION RESISTANCE    | 100MΩ MIN @ 500VDC   |
| DIELECTRIC STRENGTH TEST | 500VAC for 1 MINUTE  |
| BEARING TYPE             | NMB BALL BEARING, C3 |



**SKYSMotor**

|       |           |      |  |
|-------|-----------|------|--|
|       | APVD      |      |  |
|       | CHKD      |      |  |
| 1.5:1 | DRN       |      |  |
| SCALE | SIGNATURE | DATE |  |

**BRUSHLESS DC MOTOR**

**57BLR110-36-01**